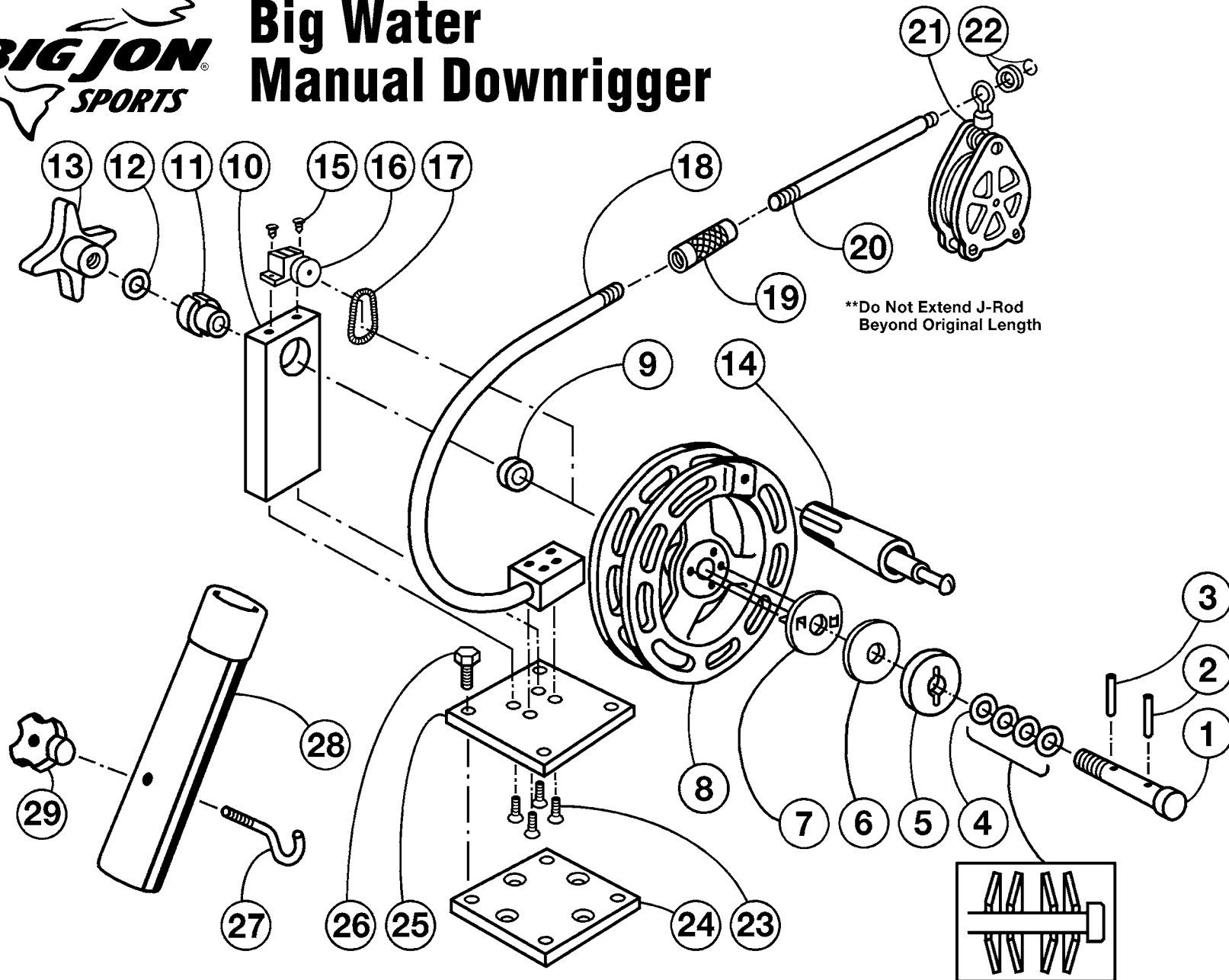
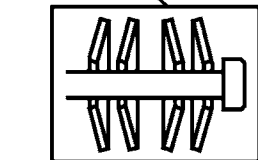




Big Water Manual Downrigger



**Do Not Extend J-Rod
Beyond Original Length



Correct arrangement of
Belleville Washers

Parts List MD00526

Detail No.	Description	Qty.	Order By Part No.
1	Inner Shaft	1	51757
2	3/16 x 3/4 in. Dowel	1	2165
3	1/8 x 1 in. Roll Pin	1	2175
4	Belleville Washers	4	KT2231
5	Outer Clutch Disk	1	KT51093
6	Graphite Pad	1	KT2307
7	Inner Clutch Disk	1	KT51098
8	8 in. Reel	1	KT51164
9	509 SS Washer	1	2238
10	Upright	1	51401
11	Outer Shaft	1	51186
12	Belleville Washers	1	KT2231
13	Clutch Knob	1	KT51152
14	Handle Assembly	1	KTHA101
15	Counter Screws	2	2014
16	RH Counter w/ Small Wheel	1	FC600/35
17	Counter Spring	1	KT2284
18	J-Rod & Rod Block Assembly	1	526JROD/ASM
19	Rod Collar	1	KT51044
20	10-1/2 in. End Rod	1	51123
21	5 Spoke Tip Assembly	1	KT3049
22	Aluminum Tip Retainer & Tip Retainer Ring	1	KT51043
23	1/4-20 x 3/4 in. Flat Head Screws	4	2009
24	8 Hole Mounting Plate	1	KTMP5004
25	Universal Base Plate	1	51002
26	1/4-20 x 3/4 in. SS Bolts	4	2017
27	Mounting Hook	1	2501
28	Rod Holder Tube & Cap	1	51045
29	Mounting Knob	1	51172

* KT3049 5 Spoke Tip Assembly includes: Alum. Tip Retainer & Retainer